



# MODEL 235

**THE HOTSY CORPORATION  
21 INVERNESS WAY EAST  
ENGLEWOOD, COLORADO 80112**

## OPERATING MANUAL

**IMPORTANT:** Read this manual and accompanying pump and engine manual before operating machine. Improper operation may result in severe personal injury or property damage.

### WARRANTY

Hotsy products are guaranteed against defects in material and workmanship for one hundred-twenty (120) days. Defects must be verified by The Hotsy Corporation Inspection Department. All parts must be returned to the factory freight or postage paid. If warranty claim is valid, return freight or postage will be paid by The Hotsy Corporation.

Liability excludes field labor charges and is limited to repair or replacement of defective parts only at the option of the manufacturer.

Damage resulting from neglect, abuse, or tampering voids this warranty.

Our obligation hereunder to repair or replace defective parts is the exclusive remedy for breach of this warranty and we will not be liable for any other damages or claims, including consequential damages.

This warranty is in lieu of all other warranties, expressed or implied, including any warranty of merchantability, and of all other obligations or liabilities on our part.

You have just purchased one of the finest pressure washers in the U.S.A. today. Manufactured and backed by The Hotsy Corporation. To expedite service and warranty, record the machines model and serial number below, along with the date purchased.

Model No. \_\_\_\_\_ Serial No. \_\_\_\_\_ Date Purchased: \_\_\_\_\_

### SPECIFICATIONS \*

Pump Volume.....3.0 GPM  
Pump Pressure.....1800 PSI  
Gas Engine.....5 HP Pull Start

\* Output specifications are based on engine power curves at sea level and 60° F ambient temperature in accordance with SAE J607.



**HOTSY COLD WATER HIGH PRESSURE WASHER  
W A R N I N G  
SEVERE PERSONAL INJURY OR PROPERTY DAMAGE MAY RESULT**

**READ THIS MANUAL BEFORE OPERATING MACHINE. IMPROPER OPERATION MAY RESULT IN SEVERE PERSONAL INJURY OR PROPERTY DAMAGE.**

\* Check hoses, gun, fittings and fuel connections daily for signs of wear and looseness, and replace as needed.

\* Do not fill gasoline tank while engine is running or hot. Let engine cool before refueling or spontaneous fire may result. Fuel spillage or vapors could ignite if engine is hot.

\* Do not point wand or gun at any person. Severe bodily injury may result from water under high pressure.

\* Wear eye and ear protection and gloves at all times while operating equipment.

\* Avoid contact with non-insulated areas of pressure washer and engine to prevent the possibility of severe burns.

\* Do not allow machine to run unattended.

\* Do not run machine indoors, or in enclosed areas, without adequate ventilation, or in areas where flammable vapors, (gasoline, solvents, etc.) may be present.

\* Do not store flammable liquids near pressure washer or in non-ventilated areas.

\* Unauthorized machine modifications may cause personal injury and/or property damage, and will void machine warranty.

**GENERAL SAFETY INFORMATION**

\* When applying chemicals follow the safety rules on the chemical label.

\* Cleaning area should be provided with adequate slopes and drainage. This will reduce the possibility of a fall due to slippery surface.

# MACHINE COMPONENT LAYOUT

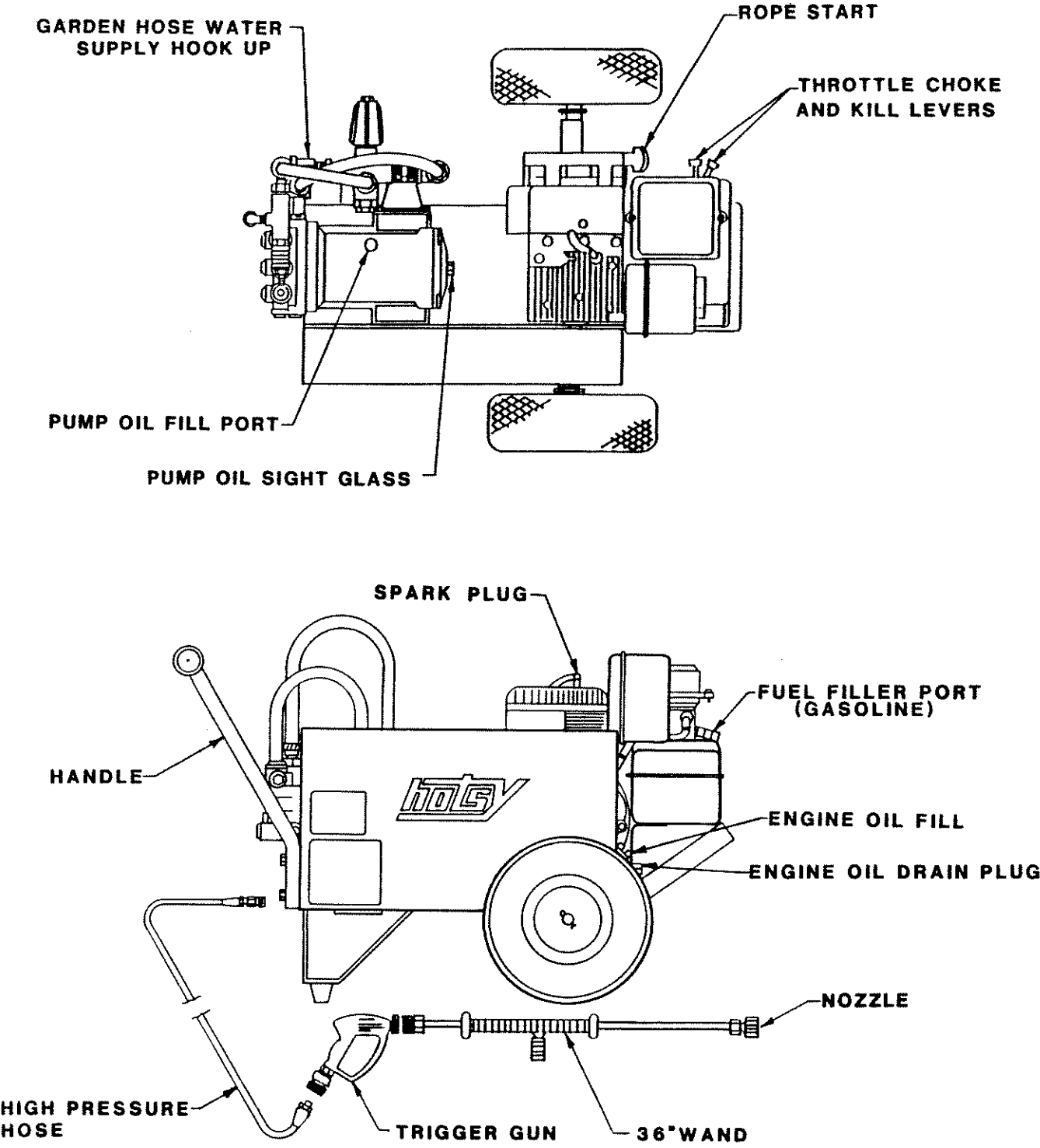


FIGURE 1

## UNPACKING

Unpack carefully. If there are missing components or hidden damage immediately contact distributor or carrier concerning discrepancies.

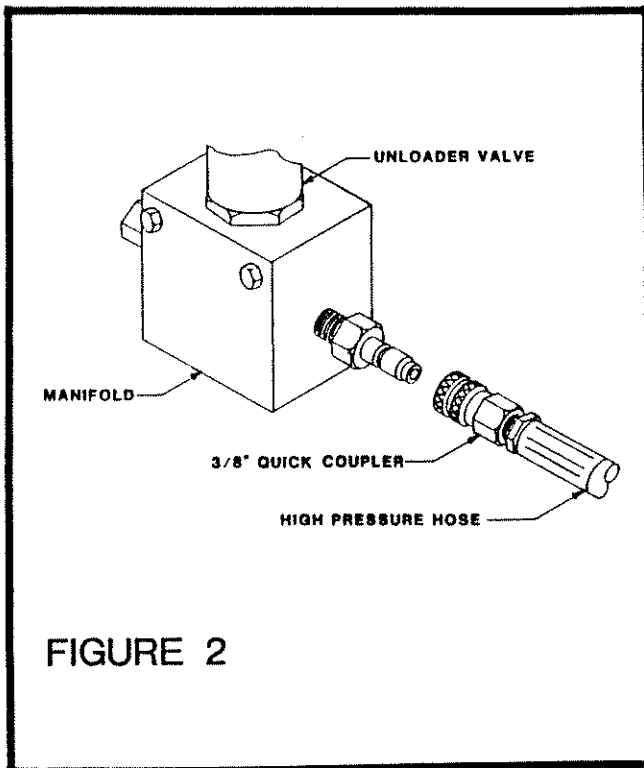
### PARTS INCLUDED:

- \* HOTSY high pressure washer.
- \* High pressure hose.
- \* Trigger gun.
- \* 36" wand.
- \* Handle.
- \* Attachment hardware.
- \* Operating Manual.
- \* Pump Manual.
- \* Engine Manual.

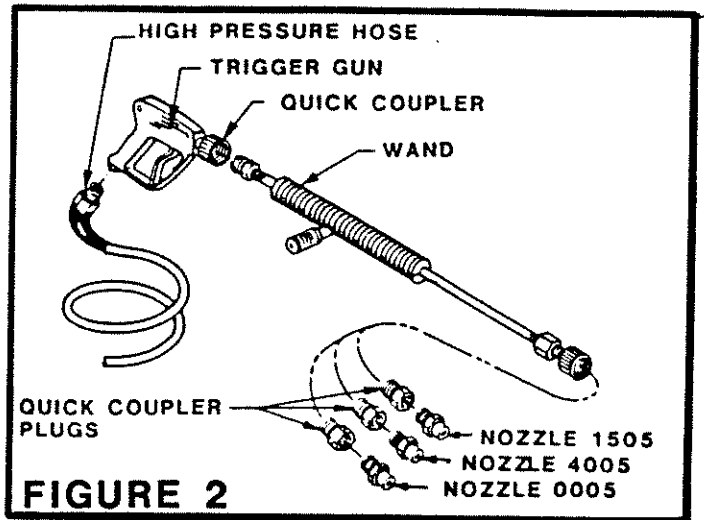
## ASSEMBLY

### PRESSURE HOSE, TRIGGER GUN AND WAND

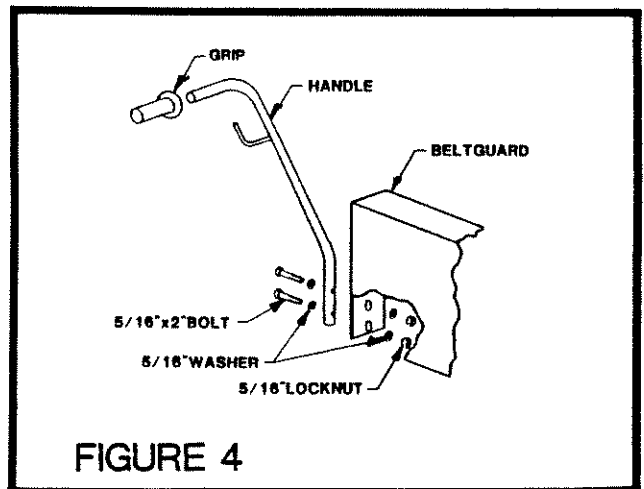
1. When assembling, use teflon tape on all plumbing connections to prevent leakage.
2. Connect hose to machine as shown in FIG. 2.



3. Attach quick coupler to trigger gun. Connect wand to trigger gun. Connect pressure hose to trigger gun, as shown in FIG. 2.
4. Install nozzles into quick coupler plugs, as shown in FIG. 2. Select desired nozzle for cleaning and install in end of wand.
5. Make sure that all plumbing and hardware connections are tight.



6. Attach the handle and install handle grip as shown in FIG. 4 using hardware supplied.



## INSTALLATION

**IMPORTANT:** PROPER INITIAL INSTALLATION OF EQUIPMENT WILL ASSURE MORE SATISFACTORY PERFORMANCE, LONGER LIFE AND LESS MAINTENANCE COSTS.

The equipment should be run on a level surface where it is not readily influenced by outside sources such as strong winds, freezing temperatures, rain, etc. The equipment should be located considering the accessibility for filling of chemicals, gasoline, adjustments and maintenance. Normal precautions should be taken by the operator to prevent moisture from reaching the equipment. It is recommended that a partition be made between the wash area and the equipment to prevent direct spray from the gun coming in contact with the equipment. Moisture reaching the equipment will reduce the equipments life. All installations should comply with local codes covering such installations.

## OPERATION

### BEFORE STARTING:

**\*WARNING:** Check hoses, gun, fittings and fuel connections daily for signs of wear and looseness, replace as needed.

1. Connect water supply hose, (a minimum of 3.0 GPM) and turn on water.

**\*WARNING:** Do not fill engine fuel tank while engine is running or hot. Let engine cool before refueling or spontaneous fire may result. Fuel spillage or vapors could ignite if engine is hot.

2. Fill gasoline tank. Use only unleaded or regular leaded automotive gasoline. Do not use gasoline containing methanol.

3. Check pump and engine oil levels.

4. If chemicals are to be used, only use chemicals intended for pressure washers. Follow instructions on chemical container.

### TO START:

**\*CAUTION:** The water must be turned on before starting engine. Running the pump dry will cause damage and void the warranty.

1. Make sure trigger gun is in the closed position.

2. Move choke lever to full choke position (choke may not be needed on warm engine). Move throttle control 1/2 throttle. See FIG. 1.

3. Place foot on rear wheel and pull rope starter. When engine starts, move choke lever until engine runs smoothly. Move throttle control to full throttle. When engine warms, move choke lever to no choke position.

### TO CLEAN:

**\*WARNING:** Do not point wand or gun at any person or severe bodily injury may result from water under high pressure.

**\*WARNING:** Wear eye and ear protection and gloves at all times while operating equipment.

**\*NOTE:** This section is written as if Chemical Injector Kit P/N 292979 has been installed. For operation instructions of chemical injector, see manual provided with kit.

1. Insert clear plastic hose into container of mixed chemical. Allow chemical to reach the end of wand. Adjust chemical injector metering valve to desired setting.

2. Apply low pressure chemical on surface to be cleaned. Apply from the bottom to the top using side to side motions. This allows chemical to soak as you work toward the top.

3. Stop chemical and use high pressure water to rinse away dirt and chemical. Rinse from top to bottom to prevent chemical from dripping onto the rinsed surface.

4. Do not wash or rinse at a 90° angle to the work (straight at it). This will allow water to splash back at you and reduces your cleaning power. Rinse at a 30° to 60° angle to the work. This will allow the water to splash away from you and the water will rinse the dirt away faster and easier.

5. Use the width of the spray pattern to wash in a wide path. Overlap spray paths for complete coverage. Rinse from side to side, using slow, steady motions.

6. The nozzle should be 12" to 24" from work. Closer for tough areas. Be careful on painted or delicate surfaces, the pressure may damage surface if nozzle is too close.

7. Small parts should be washed in a basket so the pressure does not push them away. Larger, light weight parts should be clamped down so the pressure does not push them away.

#### TO STOP:

**\*CAUTION:** Do not allow machine to run unattended.

1. If chemical is used, draw clear water through the unit to purge chemical.

2. Close trigger gun. Move engine kill switch to "OFF" position until engine stops. Open trigger gun to relieve system of pressure.

3. Turn off water supply.

4. Turn off chemical injector valve.

#### STORAGE:

**\*WARNING:** Do not store flammable liquids (gasoline or diesel fuel) near pressure washer, or in non-ventilated areas.

1. Protect from freezing by storing in a heated area, or by flushing the system with anti-freeze. To flush the system with anti-freeze, attach a short length of hose to the garden hose connection on the pump. Place the other end of the hose into a container of anti-freeze.

Start the machine and allow to run until anti-freeze flows from the end of the wand. Close trigger gun several times before turning the machine off.

2. If the machine is not to be used for a considerable length of time, it is recommended to flush the system with anti-freeze for rust protection.

#### MAINTENANCE

**\*WARNING:** Unauthorized machine modifications may cause personal injury and/or property damage and will void the machine warranty.

#### PUMP:

Use HOTSY Pump Oil P/N 315068 or equivalent 40W non-detergent oil for pump crankcase. Crankcase must be filled to the full mark on the dipstick or to center of sight glass window found on the rear of the pump. During the break-in-period, make sure the oil is changed after the first 50 hours of operation. After that, replace oil every 3 months or 300 hours, whichever comes first.

#### DO NOT:

1. Pump acids.

2. Fail to winterize in freezing temperatures. (See Storage Instructions).

3. Allow pump to run dry.

4. Allow pump to run in bypass for more than 10 minutes.

#### DO:

1. Use a water softener on the water system if known to be high in mineral content.

2. Use only high quality chemicals and follow manufacturer's mixing recommendations.

3. Immediately after using chemical solutions, the cleaner should be flushed thoroughly with clear water.

4. Clean strainer screen on soap line periodically.

**ENGINE:**

**1. Engine oil recommendations:**

- a) Above 32° F use SAE 30W oil. (SAE 10W30 is an acceptable substitute).
- b) Below 32° F use SAE 5W20 or 5W30 oil. (SAE 10W30 is an acceptable substitute).

**\*NOTE:** 10W40 oil may be used if 10W30 is not available.

**\*NOTE:** Oil sump capacity is approximately 64 ounces (4 pints).

**2. Remove "Oil Fill Plug "** and place it on a clean surface. Fill oil sump slowly, until it reaches the threads on the inside of the oil fill port. **DO NOT OVERFILL.** See FIG. 1.

**\*IMPORTANT:** Check oil level regularly.

**3. Check oil level every five (5) operating hours or each time equipment is used.** Add oil as necessary.

**\*CAUTION:** DO NOT run engine unless proper oil level is maintained.

**4. Change Oil:** After first five (5) hours of operating, and every twenty-five (25) hours thereafter, or more often if operated in an extremely dusty or dirty area.

**5. Drain Oil:** Position equipment so that the engine oil drain plug (See FIG. 1) is at lowest point on engine. Remove oil drain plug and oil fill plug (while engine is still warm) and allow to drain completely.

**6. Replace oil drain plug and tighten securely.** Refill oil sump with new oil of proper viscosity and service classification per preceding "Oil Recommendations". Replace oil fill plug and tighten securely.

**OPTIONAL EQUIPMENT**

| PART NO. | DESCRIPTION           |
|----------|-----------------------|
| 885121   | PARTS LIST MANUAL     |
| 292979   | CHEMICAL INJECTOR KIT |
| 315068   | HOTSY PUMP OIL        |



FOR SALES AND SERVICE CONTACT:

---

SERVICE RECORD

---